

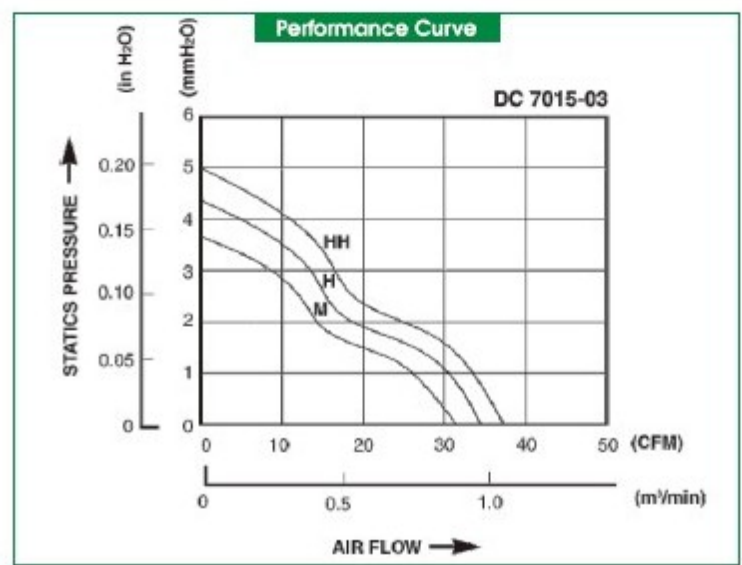
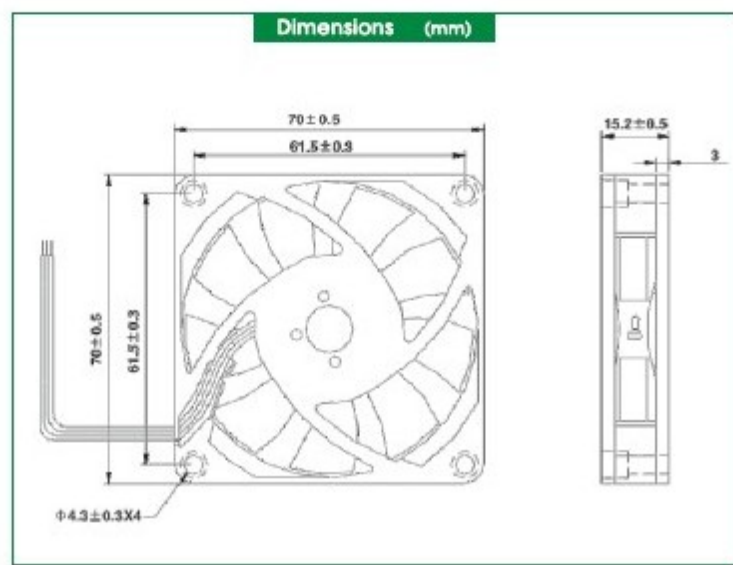


- SIZE :**
70x70x15mm (2.76"x2.76"x0.59")
- CONSTRUCTION :**
Glass fiber reinforced plastic:
Impeller and housing PBT are UL 94V-0 rating
- OPERATING TEMPERATURE :**
Ball bearing - 30°C to +75°C
Sleeve bearing - 10°C to +70°C
- INSULATION RESISTANCE :**
10meg Ohm min. at 500 VDC
(between frame and terminal)
- DIELECTRIC STRENGTH :**
5mA max. at 500 VAC 60Hz one minute
(between frame and terminal)
- FUNCTION :**
auto-restart option
frequency generator signal option
- WEIGHT :**
51 grams

Specifications

Specifications are subject to change without notice

MODEL NO.	BEARING	RATED VOLTAGE	OPERATING VOLTAGE RANGE	RATED CURRENT	RATED INPUT POWER	SPEED R.P.M.	MAX. AIR FLOW		MAX. AIR PRESSURE		NOISE dB-A
		VDC	V	A	W		m ³ /min	CFM	mmH ₂ O	IN H ₂ O	
BP701512L-03	Ball	12	10.2-13.8	0.15	1.80	2800	0.6	22.0	2.0	0.1	24.0
SP701512L-03	Sleeve										
BP701512M-03	Ball	12	10.2-13.8	0.24	2.28	3800	0.8	29.4	3.4	0.1	34.9
SP701512M-03	Sleeve										
BP701512H-03	Ball	12	10.2-13.8	0.28	3.36	4200	1.0	33.5	4.4	0.2	38.0
SP701512H-03	Sleeve										
BP701512HH-03	Ball	12	10.2-13.8	0.34	4.08	4500	1.1	37.1	5.0	0.2	39.4
SP701512HH-03	Sleeve										



Mouser Electronics

Authorized Distributor

Click to View Pricing, Inventory, Delivery & Lifecycle Information:

[Bi-Sonic:](#)

[BP701512L-03](#) [SP701512L-03](#) [BP701512M-03](#) [SP701512M-03](#) [BP701512H-03](#) [SP701512H-03](#) [BP701512HH-03](#)
[SP701512HH-03](#)