



**SIZE :**

60x60x10mm (2,36"x2,36"x0,39")

**CONSTRUCTION :**

Glass fiber reinforced plastic:

Impeller and housing PBT are UL 94V-0 rating

**OPERATING TEMPERATURE :**

Ball bearing - 30°C to +75°C

Sleeve bearing - 10°C to +70°C

**INSULATION RESISTANCE :**

10meg Ohm min. at 500 VDC

(between frame and terminal)

**DIELECTRIC STRENGTH :**

5mA max. at 500 VAC 60Hz one minute

(between frame and terminal)

**FUNCTION :**

frequency generator signal option

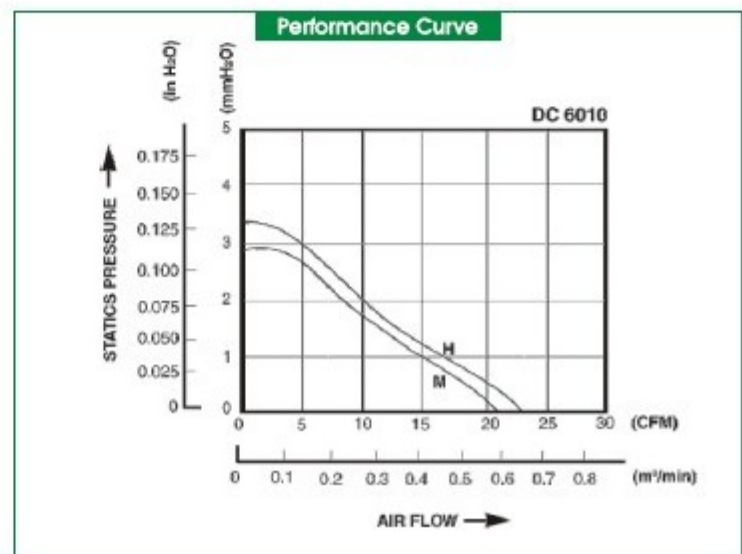
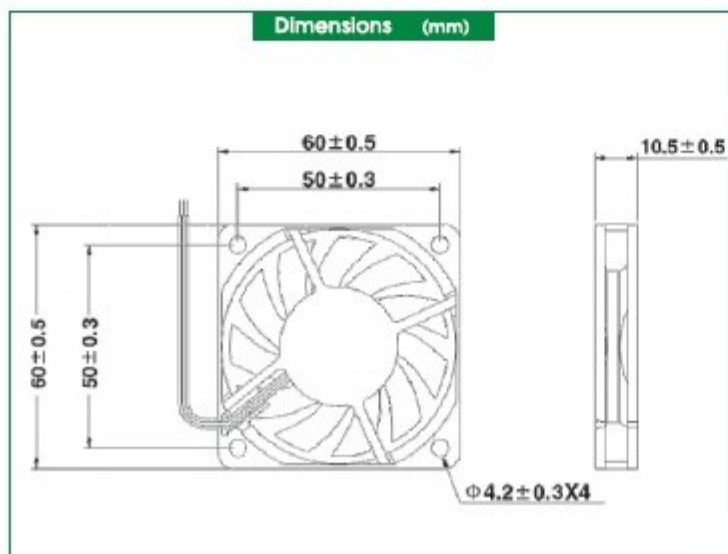
**WEIGHT :**

30 grams

*Specifications are subject to change without notice*

**Specifications**

MODEL NO.	BEARING	RATED VOLTAGE	OPERATING VOLTAGE RANGE	RATED CURRENT	RATED INPUT POWER	SPEED R.P.M.	MAX. AIR FLOW		MAX. AIR PRESSURE		NOISE dB-A
		VDC	V	A	W		m <sup>3</sup> /min	CFM	mmH <sub>2</sub> O	IN H <sub>2</sub> O	
BP601005H	Ball	05	4.5 - 5.7	0.21	2.10	4700	0.5	19.1	3.1	0.1	36.2
SP601005H	Sleeve										
BP601012M	Ball	12	10.2-13.8	0.16	1.92	4200	0.5	17.7	2.9	0.1	35.0
SP601012M	Sleeve										
BP601012H	Ball	12	10.2-13.8	0.21	2.52	4700	0.5	19.1	3.1	0.1	36.2
SP601012H	Sleeve										
BP601012HH	Ball	12	10.2-13.8	0.24	2.88	5100	0.7	24.4	3.7	0.2	38.0
SP601012HH	Sleeve										
BP601024M	Ball	24	20.4-27.6	0.15	3.60	4200	0.5	17.7	2.9	0.1	35.0
SP601024M	Sleeve										
BP601024H	Ball	24	20.4-27.6	0.16	3.84	4700	0.5	19.1	3.1	0.1	36.2
SP601024H	Sleeve										



# Mouser Electronics

Authorized Distributor

Click to View Pricing, Inventory, Delivery & Lifecycle Information:

## Bi-Sonic:

[BP601012M](#) [BP601005H](#) [SP601005H](#) [SP601012M](#) [BP601012H](#) [SP601012H](#) [BP601012HH](#) [SP601012HH](#)  
[BP601024M](#) [SP601024M](#) [BP601024H](#) [SP601024H](#)