

DC 5010



SIZE :

50x50x10mm (1.97"x1.97"x0.39")

CONSTRUCTION :

Glass fiber reinforced plastic:

Impeller and housing PBT are UL 94V-0 rating

OPERATING TEMPERATURE :

Ball bearing - 30°C to +75°C

Sleeve bearing - 10°C to +70°C

INSULATION RESISTANCE :

10meg Ohm min. at 500 VDC

(between frame and terminal)

DIELECTRIC STRENGTH :

5mA max. at 500 VAC 60Hz one minute

(between frame and terminal)

FUNCTION :

frequency generator signal option

WEIGHT :

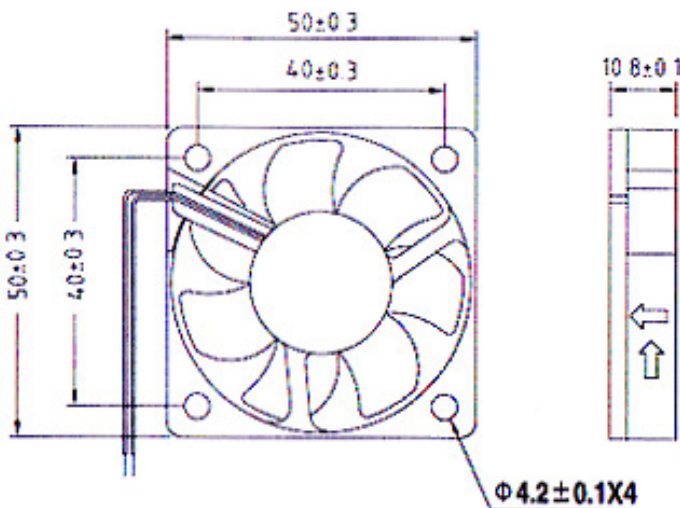
20 grams

Specifications

Specifications are subject to change without notice

| MODEL NO. | BEARING | RATED | OPERATING | RATED | RATED | SPEED | MAX. AIR | | MAX. AIR | | NOISE |
|-----------|---------------|---------|-----------|---------|-------|--------|---------------------|----------|--------------------|---------------------|-------|
| | | VOLTAGE | VOLTAGE | CURRENT | INPUT | | FLOW | PRESSURE | | | |
| | | VDC | RANGE | A | POWER | R.P.M. | m ³ /min | CFM | mmH ₂ O | IN H ₂ O | dB-A |
| BP501012L | Ball | 12 | 10.2-13.8 | 0.07 | 0.84 | 3500 | 0.212 | 7.49 | 1.20 | 0.047 | 20 |
| SP501012L | Sleeve | | | | | | | | | | |
| BS501012L | Ball & Sleeve | | | | | | | | | | |
| BP501012M | Ball | 12 | 10.2-13.8 | 0.10 | 1.20 | 4000 | 0.249 | 8.79 | 1.46 | 0.057 | 29 |
| SP501012M | Sleeve | | | | | | | | | | |
| BS501012M | Ball & Sleeve | | | | | | | | | | |
| BP501012H | Ball | 12 | 10.2-13.8 | 0.16 | 1.92 | 5500 | 0.345 | 12.21 | 2.54 | 0.099 | 32 |
| SP501012H | Sleeve | | | | | | | | | | |
| BS501012H | Ball & Sleeve | | | | | | | | | | |

Dimensions (mm)



Performance Curve

